

WIRE CONTROL UNIT

Wire Control Unit is designed to hold a standard wire coil, straighten it as it uncoils, and feed it to the gun under controlled tension. Whether your material is in open coil or on single spool, the heavy duty wire stand helps maintain steady wire feed. For proper wire combustion spraying, the wire must extend straight from the gun nozzle and remain centered in the flame. Yet, the typical wire material is packaged such that wire retains a “set” or curvature it uncoils.

The efficient straightening action of the Wire

Control Unit assures fast spraying speeds and prevents wear on gears, wire nozzles, and wire guides. The built in wire straightener reduces wear on internal gears in the torch and eliminates feed issues due to bends and wire arc. The Wire Control Unit is equipped with solid ball bearing rollers that are lifetime greased-packed and sealed. It takes wire from the reel in the proper direction and removes curvature from any wire type, size and degree of stiffness. Efficient straightening means faster spraying speeds and less damage to the gun parts.

General Description:

The Wire Control Unit is easy to handle:

- A strong, rugged brake spring adjusts over a wide range of tensions.
- Straightening action is controlled with an easy-to-use clamp handle.
- An efficient outer hoop keeps wire on the arms; it cannot ride off, get tangled or hooked.
- Construction is all metal. Tough tripod legs of heavy steel tubing prevents tipping.

Features and Benefits:

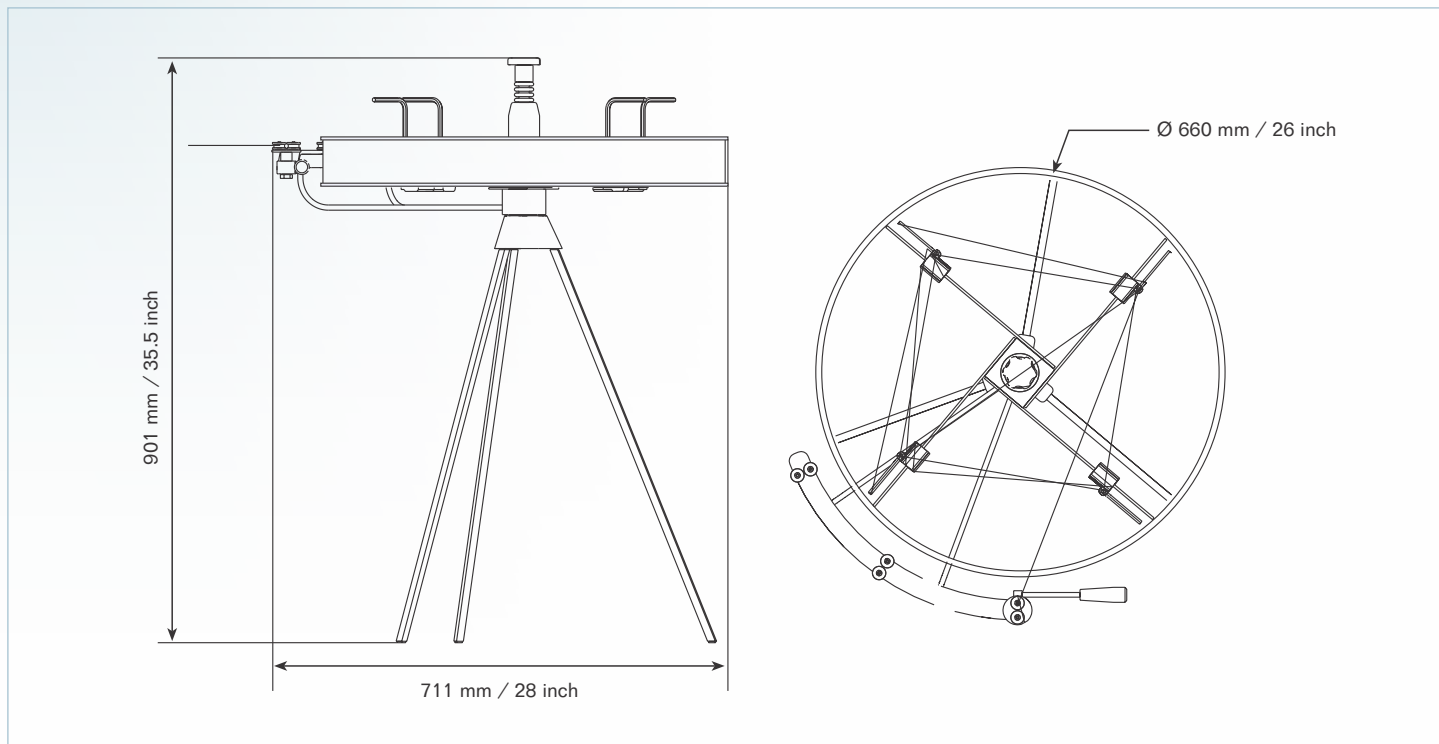
- Guarantees fastest spraying speeds using all types of wire.
- Removes curvature from any type of wire, any size, and any degree of hardness.
- Reduces wear of the gears, nozzle, and wire guide of the flame spray gun.
- Optimizes spraying performance by straightening the wire as it uncoils.
- Rugged design – built for long service life with limited maintenance.
- Simple operation – requires minimal operator training.



WIRE CONTROL UNIT

TECHNICAL DATA

Dimensions:



Specifications:

Wire Spool Capacity

Inside diameter	240 mm	minimum
Outside diameter	610 mm	maximum

Wire Spool Weight Capacity

25 Kg. Approx.

Net Weight of Equipment

27.5 Kg. Approx.

H.O. & Works:

METAL COAT

📍 B-43, 44, 45, 46, Industrial Estate
Jodhpur, Rajasthan - 342 003 India



+91 93140 28848
+91 98290 27807



info@metal-coat.com



www.metal-coat.com